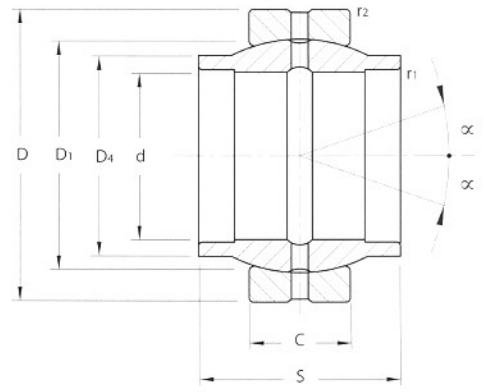


SRC...

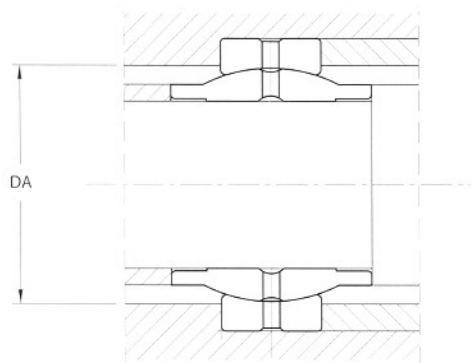
SPHERICAL PLAIN BEARING

-REQUIRING MAINTENANCE
-COUPLING:STEEL/STEEL



CODE	d	D	S	C	TOLERANCE				r1	R2
					d	D	S	C		
mm.										
SRC 12 (1)	12	22	12	7	0 + +0.018	0 + -0.009	0 + -0.18	0 + -0.24	0.3	0.3
SRC 16	16	28	16	9	0 + +0.018	0 + -0.009	0 + -0.18	0 + -0.24	0.3	0.3
SRC 20	20	35	20	12	0 + +0.021	0 + -0.011	0 + -0.21	0 + -0.24	0.3	0.3
SRC 25	25	42	25	16	0 + +0.021	0 + -0.011	0 + -0.21	0 + -0.24	0.6	0.6
SRC 32	32	52	32	18	0 + +0.025	0 + -0.013	0 + -0.25	0 + -0.30	0.6	1.0
SRC 40	40	62	40	22	0 + +0.025	0 + -0.013	0 + -0.25	0 + -0.30	0.6	1.0
SRC 50	50	75	50	28	0 + +0.025	0 + -0.013	0 + -0.25	0 + -0.30	0.6	1.0
SRC 63	63	95	63	36	0 + +0.030	0 + -0.015	0 + -0.30	0 + -0.40	1.0	1.0
SRC 70 (2)	70	105	70	40	0 + +0.030	0 + -0.015	0 + -0.30	0 + -0.40	1.0	1.0
SRC 80 -	80	120	80	45	0 + +0.030	0 + -0.015	0 + -0.30	0 + -0.40	1.0	1.0
SRC 90 (2)	90	130	90	50	0 + +0.035	0 + -0.018	0 + -0.35	0 + -0.50	1.0	1.0
SRC 100	100	150	100	55	0 + +0.035	0 + -0.018	0 + -0.35	0 + -0.50	1.0	1.0
SRC 110 (2)	110	160	110	55	0 + +0.035	0 + -0.025	0 + -0.35	0 + -0.50	1.0	1.0
SRC 125	125	180	125	70	0 + +0.040	0 + -0.025	0 + -0.40	0 + -0.50	1.0	1.0
SRC 160	160	230	160	80	0 + +0.040	0 + -0.030	0 + -0.40	0 + -0.60	1.0	1.0
SRC 200	200	290	200	100	0 + +0.046	0 + -0.035	0 + -0.46	0 + -0.70	1.1	1.1
SRC 250 (2)	250	400	250	120	0 + +0.046	0 + -0.040	0 + -0.46	0 + -0.80	1.1	1.1
SRC 320 (2)	320	520	320	160	0 + +0.057	0 + -0.050	0 + -0.57	0 + -0.90	1.1	1.1

(1) WITHOUT GREASE NIPPLE
(2) AVAILABILITY AND PRICE UPON REQUEST

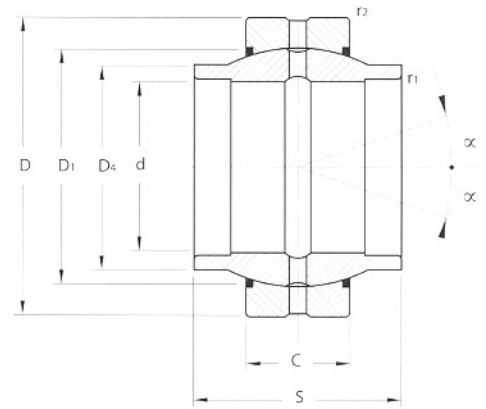


d	D1	D4	OSCILLATION ANGLE α	LOAD FACTOR		RADIAL CLEARANCE	MOUNTING DIMENSIONS DA min.	WEIGHT
				DYNAM. C	STA. CO			
mm.			GRADI	KN		mm.	Kg.	
12	18	15.5	4	10.8	54	0.032 - 0.068	17.5	0.02
16	23	20	4	17.6	88	0.040 - 0.082	23	0.03
20	29	25	4	30	146	0.040 - 0.082	27.5	0.07
25	35.5	30.5	4	48	240	0.050 - 0.100	33	0.12
32	44	38	4	67	335	0.060 - 0.100	42	0.20
40	53	46	4	100	500	0.060 - 0.120	51	0.34
50	66	57	4	156	780	0.060 - 0.120	63	0.56
63	83	71.5	4	255	1270	0.072 - 0.142	78	1.20
70	92	79	4	315	1560	0.072 - 0.142	87	1.70
80	105	91	4	400	2000	0.072 - 0.142	99	2.40
90	115	99	4	490	2450	0.072 - 0.165	108	3.20
100	130	113	4	610	3050	0.085 - 0.165	123	4.80
110	140	124	4	655	3250	0.085 - 0.165	134	5.80
125	160	138	4	950	4750	0.085 - 0.165	150	8.50
160	200	177	4	1370	6800	0.100 - 0.192	191	16.50
200	250	221	4	2120	10600	0.100 - 0.192	239	32.00
250	350	317	4	3750	18000	0.110 - 0.214	342	99.00
320	450	405	4	6200	30500	0.135 - 0.261	438	225.00

SRC... - 2RS

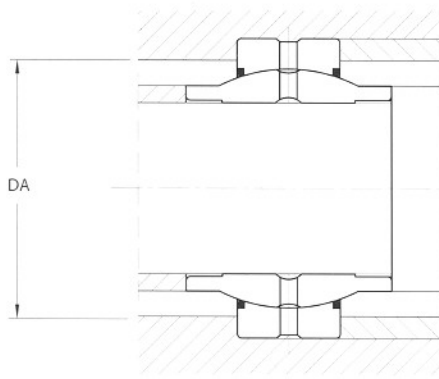
SPHERICAL PLAIN BEARINGS

-REQUIRING MAINTENANCE
 -COUPLING:STEEL/STEEL



CODE	d	D	S	C	TOLERANCE				r1	R2
					d	D	S	C		
	mm.									
SRC 17- 2RS	17	30	21	10	0 + -0.008	0 + -0.009	±0.2	0 + -0.24	0.2	0.3
SRC 20- 2RS	20	35	24	12	0 + -0.010	0 + -0.011	±0.2	0 + -0.24	0.2	0.3
SRC 25- 2RS	25	42	29	16	0 + -0.010	0 + -0.011	±0.3	0 + -0.24	0.2	0.6
SRC 30- 2RS	30	47	30	18	0 + -0.010	0 + -0.011	±0.3	0 + -0.24	0.2	0.6
SRC 35- 2RS	35	55	35	20	0 + -0.012	0 + -0.013	±0.3	0 + -0.30	0.3	1.0
SRC 40- 2RS	40	62	38	22	0 + -0.012	0 + -0.013	±0.3	0 + -0.30	0.3	1.0
SRC 45- 2RS	45	68	40	25	0 + -0.012	0 + -0.013	±0.3	0 + -0.30	0.3	1.0
SRC 50- 2RS	50	75	43	28	0 + -0.012	0 + -0.013	±0.3	0 + -0.30	0.3	1.0
SRC 60- 2RS	60	90	54	36	0 + -0.015	0 + -0.015	±0.3	0 + -0.40	0.3	1.0
SRC 70- 2RS	70	105	65	40	0 + -0.015	0 + -0.015	±0.3	0 + -0.40	0.3	1.0
SRC 80- 2RS	80	120	74	45	0 + -0.015	0 + -0.015	±0.3	0 + -0.40	0.3	1.0

NOTES: TO AVOID THE DAMAGE OR THE LOSS OF THE PROTECTION RINGS(-2RS)DO NOT ALLOW INNER BALL TO ROTATE OUT OF THE EXTERNAL HOUSING.



d	D1	D4	OSCILLATION ANGLE α	LOAD FACTOR		RADIAL CLEARANCE	MOUNTING DIMENSIONS DA min.	WEIGHT
				DYNAM. C	STA. CO			
	mm.		GRADI	KN		mm.	Kg.	
17	25	21	3	21.2	106	0.040 - 0.082	24	0.04
20	29	24	3	30	146	0.040 - 0.082	27.5	0.05
25	35.5	29	3	48	240	0.050 - 0.100	33	0.10
30	40.7	34.2	3	62	310	0.050 - 0.100	38	0.14
35	47	40	3	80	400	0.050 - 0.100	44.5	0.24
40	53	45	3	100	500	0.060 - 0.120	51	0.29
45	60	51.5	3	127	640	0.060 - 0.120	57	0.43
50	66	56.5	3	156	780	0.060 - 0.120	63	0.54
60	80	67.7	3	245	1220	0.060 - 0.120	75	1.10
70	92	78	3	315	1560	0.072 - 0.142	87	1.60
80	105	90	3	400	2000	0.072 - 0.142	99	2.40