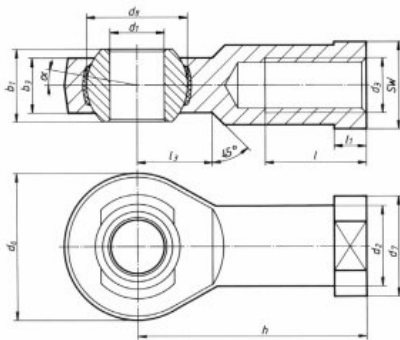




DURBAL BEF

Heavy-duty rod ends with integral spherical plain bearing



rod end housing:

forged steel, tempered, surface galvanized

joint ball:

ball bearing steel, hardened and ground, surface superfinished and chromium plated

race:

Nylon/Teflon/Glass compound

tolerances:

see page 10

Female thread
maintenance free
adapter sizes according
to DIN 648,
series K
thread according to
Cetrop RP 103 P



type	order number right hand thread	order number left hand thread	d ₁	d ₂	d ₃	d ₆	d ₇	d ₈	b ₁	b ₃
BEF 05	20-501	20-502	5	9	M 5 X 0.8	18	11	11,06	8	6
BEF 05 SO	22-501	22-502	5	9	M 4 X 0.7	18	11	11,06	8	6
BEF 06	20-501	20-502	6	10	M 6 X 1.0	20	13	12,65	9	6,75
BEF 08	20-501	20-502	8	12,5	M 8 X 1.25	24	16	15,82	12	9
BEF 10	20-501	20-502	10	15	M 10 X 1.5	28	19	19,00	14	10,5
BEF 10 SO	21-501	21-502	10	15	M 10 X 1,25	28	19	19,00	14	10,5
BEF 12	20-501	20-502	12	17,5	M 12 X 1.75	32	22	22,17	16	12
BEF 12 SO	22-501	22-502	12	17,5	M 12 x 1,25	32	22	22,17	16	12
BEF 14	20-501	20-502	14	20	M 14 X 2	36	25	25,35	19	13,5
BEF 16	20-501	20-502	16	22	M 16 X 2	42	27	28,52	21	15
BEF 16 SO	21-501	21-502	16	22	M 16 x 1,5	42	27	28,52	21	15
BEF 18	20-501	20-502	18	25	M 18 x 1,5	46	31	31,70	23	16,5
BEF 20	20-501	20-502	20	27,5	M 20 x 1,5	50	34	34,87	25	18
BEF 22	20-501	20-502	22	30	M 22 x 1,5	54	38	38,05	28	20
BEF 25	20-501	20-502	25	33,5	M 24 x 2	60	42	42,80	31	22
BEF 30	20-501	20-502	30	40	M 30 x 2	70	50	50,75	37	25
BEF 30 SO	22-501	22-502	30	40	M 27 x 2	70	50	50,75	37	25

type	h	l	l ₁	l ₃	SW	α ₁ ¹⁾ [°]	α ₂ ¹⁾ [°]	weight [kg]	basic load rating [N]	
									dyn. C	stat. C ₀
BEF 05	27	10	4	10	9	13,0	7,5	0,018	3910	9775
BEF 05 SO	27	10	4	10	9	13,0	7,5	0,018	3910	9775
BEF 06	30	12	5	10	11	13,0	6,5	0,024	4590	11490
BEF 08	36	16	5	12	14	14,5	7,5	0,045	6965	17420
BEF 10	43	20	6,5	15	17	13,5	8,0	0,074	10420	26050
BEF 10 SO	43	20	6,5	15	17	13,5	8,0	0,074	10420	26050
BEF 12	50	22	6,5	16	19	13,0	8,0	0,109	12425	31060
BEF 12 SO	50	22	6,5	16	19	13,0	8,0	0,109	12425	31060
BEF 14	57	25	8	20	22	16,0	9,5	0,155	15440	38610
BEF 16	64	28	8	22	22	15,5	8,5	0,233	22410	56020
BEF 16 SO	64	28	8	22	22	15,5	8,5	0,233	22410	56020
BEF 18	71	32	10	24	27	15,0	9,5	0,310	26325	65810
BEF 20	77	33	10	26	30	14,5	9,0	0,386	30805	77010
BEF 22	84	37	12	26	32	15,5	10,0	0,520	38230	95580
BEF 25	94	42	12	30	36	15,0	10,0	0,705	45350	113380
BEF 30	110	51	15	35	41	17,0	10,5	1,084	55010	137520
BEF 30 SO	110	51	15	35	41	17,0	10,5	1,084	55010	137520