

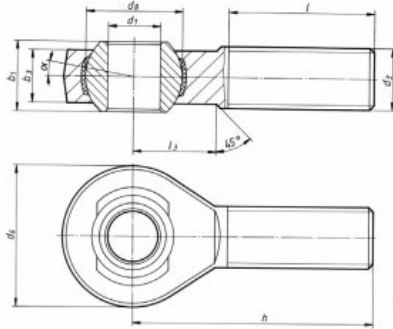
# DURBAL BEM



Male thread  
maintenance free  
adapter sizes according  
to DIN 648,  
series K



## Heavy-duty rod ends with integral spherical plain bearing



### rod end housing:

forged steel, tempered, rolled thread,  
surface galvanized

### joint ball:

ball bearing steel, hardened and ground,  
surface superfinished and chromium plated

### race:

Nylon/Teflon/Glass compound

### tolerances:

see page 10

type	order number right hand thread	order number left hand thread	d <sub>1</sub>	d <sub>3</sub>	d <sub>6</sub>	d <sub>8</sub>	b <sub>1</sub>	b <sub>3</sub>
BEM 05	20-501	20-502	5	M 5 X 0.8	18	11,06	8	6
BEM 06	20-501	20-502	6	M 6 X 1	20	12,65	9	6,75
BEM 08	20-501	20-502	8	M 8 X 1.25	24	15,82	12	9
BEM 10	20-501	20-502	10	M 10 X 1.5	28	19,00	14	10,5
BEM 12	20-501	20-502	12	M 12 X 1.75	32	22,17	16	12
BEM 14	20-501	20-502	14	M 14 X 2	36	25,35	19	13,5
BEM 16	20-501	20-502	16	M 16 X 2	42	28,52	21	15
BEM 18	20-501	20-502	18	M 18 x 1,5	46	31,70	23	16,5
BEM 20	20-501	20-502	20	M 20 x 1,5	50	34,87	25	18
BEM 22	20-501	20-502	22	M 22 x 1,5	54	38,05	28	20
BEM 25	20-501	20-502	25	M 24 x 2	60	42,80	31	22
BEM 30	20-501	20-502	30	M 30 x 2	70	50,75	37	25

type	h	l	l <sub>3</sub>	α <sub>1</sub> <sup>1)</sup> [°]	α <sub>2</sub> <sup>1)</sup> [°]	weight [kg]	basic load rating [N]	
							dyn. C	stat. C <sub>0</sub>
BEM 05	33	20	9	13,0	7,5	0,014	3910	5390
BEM 06	36	22	12	13,0	6,5	0,020	4590	7510
BEM 08	42	25	15	14,5	7,5	0,038	6965	13700
BEM 10	48	29	15	13,5	8,0	0,060	10420	21705
BEM 12	54	33	19	13,0	8,0	0,092	12425	31060
BEM 14	60	36	20	16,0	9,5	0,127	15440	38610
BEM 16	66	40	22	15,5	8,5	0,202	22410	56020
BEM 18	72	44	25	15	9,5	0,250	26325	65810
BEM 20	78	47	28	14,5	9,0	0,327	30805	77010
BEM 22	84	51	26	15,5	10,0	0,440	38230	95580
BEM 25	94	57	30	15,0	10,0	0,630	45350	113380
BEM 30	110	66	35	17,0	10,5	1,015	55010	137520