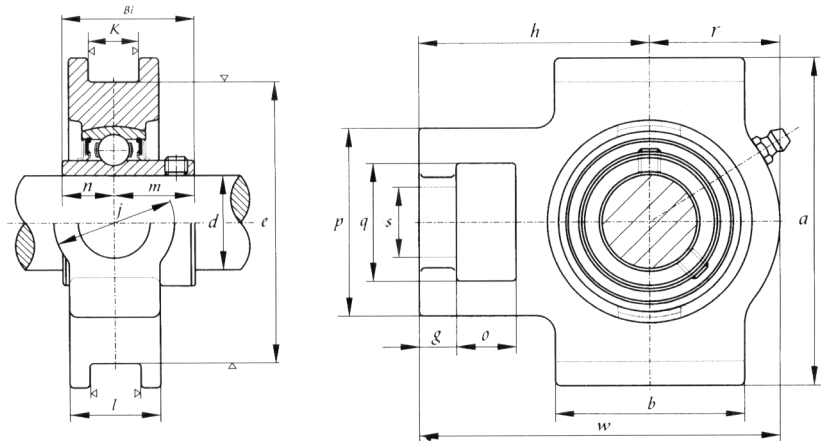


## Take-up Units (normal-duty)

## UCST 200 (wide inch slot) UCT 200 (narrow metric slot)



Bearing Unit No.	Shaft Dia. (in.)	Dimensions (in.) or (mm)															Bearing No.	Housing No.	Weight (kg)
		o	g	p	q	s	b	k	e	a	w	j	l	h	Bi	n			
UCST 204-12	3/4	5/8	13/32	2	1 1/4	3/4	2	17/32	2 63/64	3 1/2	3 11/16	1 1/4	15/16	2 13/32	1.220	0.500	UC 204-12	ST 204	1.85
UCST 205-14 205-15 205-16	7/8 15/16 1	5/8	13/32	2	1 1/4	3/4	2	17/32	2 63/64	3 1/2	3 11/16	1 1/4	15/16	2 7/16	1.3386	0.563	UC 205-14 205-15 205-16	ST 205	1.78
UCST 206-17 206-18 206-19 206-20	1 1/16 1 1/8 1 3/16 1 1/4	5/8	13/32	2 7/32	1 15/32	55/64	2 1/4	17/32	3 1/2	4 1/32	4 7/16	1 15/32	1 3/32	2 3/4	1.500	0.626	UC 206-17 206-18 206-19 206-20	ST 206	2.42
UCST 207-20 207-21 207-22 207-23	1 1/4 1 5/16 1 3/8 1 7/16	5/8	1/2	2 17/32	1 15/32	55/64	2 17/32	17/32	3 1/2	4 1/32	5 3/32	1 15/32	1 3/16	3 1/16	1.689	0.689	UC 207-20 207-21 207-22 207-23	ST 207	3.53
UCST 208-24 208-25	1 1/2 1 9/16	3/4	5/8	3 9/32	1 15/32	1 9/64	3 9/32	11/16	4 1/64	4 1/2	5 21/32	1 5/16	1 5/16	3 15/32	1.937	0.748	UC 208-24 208-25	ST 208	5.30
UCST 209-26 209-27 209-28	1 5/8 1 11/16 1 3/4	3/4	5/8	3 9/32	1 15/16	1 9/64	3 9/32	11/16	41/64	4 19/32	5 21/32	1 15/16	1 3/8	3 7/16	1.937	0.748	UC 209-26 209-27 209-28	ST 209	5.30
UCST 210-30 210-31 210-32	1 7/8 1 15/16 2	3/4	5/8	3 9/32	1 15/16	1 9/64	3 3/8	11/16	4 1/64	4 19/32	5 7/8	1 15/16	1 15/32	3 17/32	2.031	0.748	UC 210-30 210-31 210-32	ST 210	5.40
UCST 211-32 211-34 211-35	2 2 1/8 2 3/16	1	3/4	4 1/32	2 17/32	1 3/8	3 3/4	1 1/16	5 1/8	5 3/4	6 23/32	2 17/32	1 1/2	4 3/16	2.189	0.874	UC 211-32 211-34 211-35	ST 211	9.04
UCST 212-36 212-38 212-39	2 1/4 2 3/8 2 7/16	1 1/4	3/4	4 1/32	2 17/32	1 3/8	4 1/32	1 1/16	5 1/8	5 3/4	7 5/8	2 17/32	1 21/32	4 11/16	2.563	1.000	UC 212-36 212-38 212-39	ST 212	11.0
UCST 213-40	2 1/2	1 1/4	13/16	4 3/8	2 3/4	1 39/64	4 3/4	1 1/16	5 15/16	6 9/16	8 13/16	2 3/4	1 23/32	5 13/32	2.563	1.000	UC 213-40	ST 213	15.5

Bearing Unit No.	Shaft Dia. (in.)	Dimensions (in.) or (mm)															Bearing No.	Housing No.	Weight (kg)
		o	g	p	q	s	b	k	e	a	w	j	l	h	Bi	n			
UCT 201	12	16	10	51	32	19	51	12	76	89	94	32	21	61	31	12.7	UC 201	T 204	0.78
UCT 202	15	16	10	51	32	19	51	12	76	89	94	32	21	61	31	12.7	UC 202	T 204	0.76
UCT 203	17	16	10	51	32	19	51	12	76	89	94	32	21	61	31	12.7	UC 203	T 204	0.74
UCT 204	20	16	10	51	32	19	51	12	76	89	94	32	21	61	31	12.7	UC 204	T 204	0.73
UCT 205	25	16	10	51	32	19	51	12	76	89	97	32	24	62	34	14.3	UC 205	T 205	0.76
UCT 206	30	16	10	56	37	22	57	12	89	102	113	37	28	70	38.1	15.9	UC 206	T 206	1.15
UCT 207	35	16	13	64	37	22	64	12	89	102	129	37	30	78	42.9	17.5	UC 207	T 207	1.48
UCT 208	40	19	16	83	49	29	83	16	102	114	144	49	33	88	49.2	19	UC 208	T 208	2.17
UCT 209	45	19	16	83	49	29	83	16	102	117	144	49	35	87	49.2	19	UC 209	T 209	2.25
UCT 210	50	19	16	83	49	29	86	16	102	117	149	49	37	90	51.6	19	UC 210	T 210	2.33
UCT 211	55	25	19	102	64	35	95	22	130	146	171	64	38	106	55.6	22.2	UC 211	T 211	3.65
UCT 212	60	32	19	102	64	35	102	22	130	146	194	64	42	119	65.1	25.4	UC 212	T 212	4.47
UCT 213	65	32	21	111	70	41	121	26	151	167	224	70	44	137	65.1	25.4	UC 213	T 213	6.3
UCT 214	70	32	21	111	70	41	121	26	151	167	224	70	46	137	74.6	30.2	UC 214	T 214	6.6
UCT 215	75	32	21	111	70	41	121	26	151	167	232	70	48	140	77.8	33.3	UC 215	T 215	7.1
UCT 216	80	32	21	111	70	41	121	26	165	184	235	70	51	140	82.6	33.3	UC 216	T 216	7.8
UCT 217	85	38	29	124	73	48	157	30	173	198	260	73	54	162	85.7	34.1	UC 217	T 217	11.1