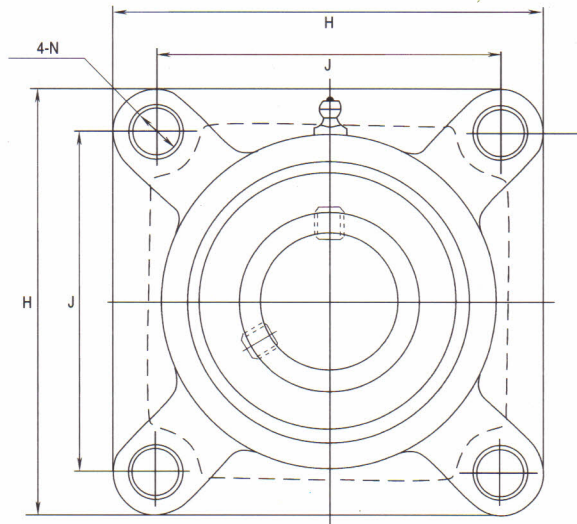
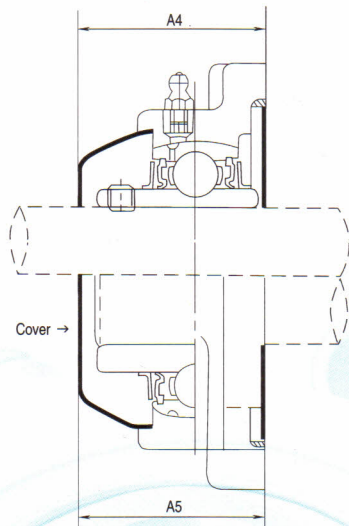


# THERMO-PLASTIC HOUSING FLANGE UNIT

SPUCF2 Series



STAINLESS STEEL SERIES



UNIT NO	SHAFT DIA, d		DIMENSIONS (mm)										BOLT SIZE	BEARING NO	HOUSING NO	WEIGHT (kg)
	mm	inch	H	J	A	A <sub>1</sub>	A <sub>2</sub>	A <sub>3</sub>	A <sub>4</sub> /A <sub>5</sub>	N	B	S				
SPUCF204-12		¾"	86	64	25.5	12	15	33.3	50	11	31.0	12.7	M10	SSUC204	SPF204	0.275
SPUCF204	20															
SPUCF205-14		7/8"														
SPUCF205-15		1-5/16"	95	70	27.0	12	16	35.8	53	11	34.1	14.3	M10	SSUC205-14	SPF205	0.330
SPUCF205-15																
SPUCF205	25															
SPUCF205-16		1"	108	83	31.0	12	18	40.2	61	11	38.1	15.9	M10	SSUC205-16	SPF206	0.515
SPUCF206-18		1-1/8"														
SPUCF206	30															
SPUCF206-19		1-3/16"	117	92	34.0	14	19	44.4	66	13	42.9	17.5	M12	SSUC206-16	SPF207	0.675
SPUCF207-20		1-½"														
SPUCF207-21		1-5/16"														
SPUCF207-22		1-3/8"	130	102	36.0	16	21	51.2	74	15	49.2	19.0	M14	SSUC207-22	SPF208	0.915
SPUCF207	35															
SPUCF207-23		1-7/16"														
SPUCF208-24		1-½"	137	105	38.0	16	22	52.2	82	15	49.2	19.0	M14	SSUC208-24	SPF209	1.000
SPUCF208-25		1-9/16"														
SPUCF208	40															
SPUCF209-26		1-5/8"	143	111	40.0	16	22	54.6	89	15	51.6	19.0	M14	SSUC209-26	SPF210	1.180
SPUCF209-27		1-11/16"														
SPUCF209-28		1-¾"														
SPUCF209	45		162	130	43.0	19	25	58.4	95	17	55.6	22.2	M16	SSUC209-28	SPF211	1.470
SPUCF210-30		1-7/8"														
SPUCF210-31		1-15/16"														
SPUCF210	50		175	143	48.0	19	29	69.1	103	17	65.1	25.4	M16	SSUC210-30	SPF212	1.980
SPUCF211-32		2"														
SPUCF211-34		2-1/8"														
SPUCF211	55		60											SSUC211		
SPUCF211-35		2-3/16"														
SPUCF212-36		2-¼"														
SPUCF212	60													SSUC212		
SPUCF212-38		2-3/8"														
SPUCF212-39		2-7/16"														

Add C for open cover & D for close cover