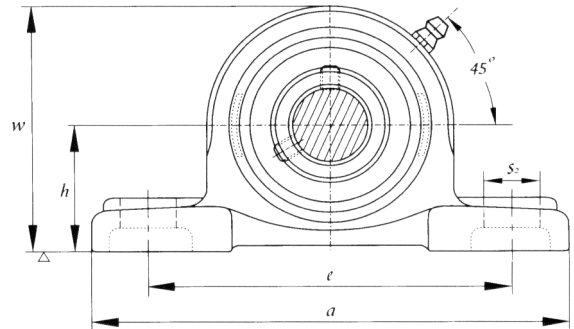
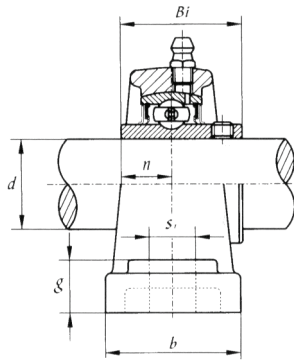


Pillow Blocks

UCP 200 (normal-duty)



Bearing Unit No.	Shaft Dia.		Dimensions (in.) or (mm)										Bolt Used		Bearing No.	Housing No.	Weight (kg)
	d (in.)	d (mm)	h	a	e	b	s ₁	s ₂	g	w	Bi	n	(mm)	(in.)			
UCP 201 201-8	1/2	12	1 3/16 30.2	5 127	3 25/32 96	1 1/2 38	3/4 19	1/2 13	19/32 15	2 7/16 62	1.2205 31.0	0.5000 12.7	M10	3/8	UCP 201 201-8	P 201	0.63
UCP 202 202-10	5/8	15	1 3/16 30.2	5 127	3 25/32 96	1 1/2 38	3/4 19	1/2 13	19/32 15	2 7/16 62	1.2205 31.0	0.5000 12.7	M10	3/8	UCP 202 202-10	P 202	0.61
UCP 203 203-11	11/16	17	1 3/16 30.2	5 127	3 25/32 96	1 1/2 38	3/4 19	1/2 13	19/32 15	2 7/16 62	1.2205 31.0	0.5000 12.7	M10	3/8	UCP 203 203-11	P 203	0.59
UCP 204 204-12	3/4	20	1 5/16 33.3	5 127	3 25/32 96	1 1/2 38	3/4 19	1/2 13	19/32 15	2 9/16 65	1.2205 31.0	0.5000 12.7	M10	3/8	UCP 204 204-12	P 204	0.61
UCP 205-14 205-15 205 205-16	7/8 15/16 1	25	1 7/16 36.5	5 1/2 140	4 1/8 105	1 1/2 38	3/4 19	1/2 13	5/8 16	2 3/4 70	1.3386 34	0.5630 14.3	M10	3/8	UCP 205-14 205-15 205 205-16	P 205	0.74
UCP 206-18 206 206-19 206-20	1 1/8 1 3/16 1 1/4	30	1 11/16 42.9	6 1/2 165	4 3/4 121	1 7/8 48	13/16 21	21/32 17	45/64 18	3 17/64 83	1.5000 38.1	0.6260 15.9	M14	1/2	UCP 206-18 206 206-19 206-20	P 206	1.15
UCP 207-20 207-21 207-22 207 207-23	1 1/4 1 5/16 1 3/8 1 7/16	35	1 7/8 47.6	6 37/64 167	4 31/32 126	1 7/8 48	13/16 21	21/32 17	3/4 19	3 5/8 92	1.6890 42.9	0.6890 17.5	M14	1/2	UCP 207-20 207-21 207-22 207 207-23	P 207	1.40
UCP 208-24 208-25 208	1 1/2 1 9/16	40	1 15/16 49.2	7 1/4 184	5 23/64 136	2 1/8 54	13/16 21	21/32 17	3/4 19	3 27/32 98	1.9370 49.2	0.7480 19.0	M14	1/2	UCP 208-24 208-25 208	P 208	1.78
UCP 209-26 209-27 209-28 209	1 5/8 1 11/16 1 3/4	45	2 1/8 54.0	7 15/32 190	5 3/4 146	2 1/8 54	13/16 21	21/32 17	25/64 20	4 3/16 106	1.9370 49.2	0.7480 19.0	M14	1/2	UCP 209-26 209-27 209-28 209	P 209	2.00
UCP 210-30 210-31 210 210-32	1 7/8 1 15/16 2	50	2 1/4 57.2	8 1/8 206	6 1/4 159	2 3/8 60	1 25	25/32 20	7/8 22	4 13/32 112	2.0315 51.6	0.7480 19.0	M16	5/8	UCP 210-30 210-31 210 210-32	P 210	2.55
UCP 211-32 211-34 211 211-35	2 2 1/8 2 3/16	55	2 1/2 63.5	8 5/8 219	6 23/32 171	2 3/8 60	1 25	25/32 20	7/8 22	4 31/64 126	2.1890 55.6	0.8740 22.2	M16	5/8	UCP 211-32 211-34 211 211-35	P 211	3.2
UCP 212-36 212 212-38 212-39	2 1/4 2 1/8 2 7/16	60	2 3/4 69.8	9 1/2 241	7 1/4 184	2 3/4 70	1 25	25/32 20	1 25	5 25/64 137	2.5630 65.1	1.0000 25.4	M16	5/8	UCP 212-36 212 212-38 212-39	P 212	4.4
UCP 213-40 213	2 1/2	65	3 76.2	10 7/16 265	8 203	2 3/4 70	1 9/34 29	1 25	1 1/16 27	5 29/32 150	2.5630 65.1	1.0000 25.4	M20	3/4	UCP 213-40 213	P 213	5.1
UCP 214-44 214	2 3/4	70	3 1/8 79.4	10 15/32 266	8 9/32 210	2 27/32 72	1 7/32 31	1 25	1 1/16 27	6 5/32 156	2.9370 74.6	1.1890 30.2	M20	3/4	UCP 214-44 214	P 214	5.7
UCP 215 215-47 215-48	2 15/16 3	75	3 1/4 82.6	10 13/16 275	8 17/32 217	2 29/32 74	1 7/32 31	1 25	1 3/32 28	6.4173 163	3.0630 77.8	1.3110 33.3	M20	3/4	UCP 215 215-47 215-48	P 215	6.3
UCP 216 216-50	3 1/8	80	3 1/2 88.9	11 1/2 292	9 1/8 232	3 1/16 78	1 7/32 31	1 25	1 3/16 30	6.8898 175	3.2520 82.6	1.3110 33.3	M20	3/4	UCP 216 216-50	P 216	7.6
UCP 217-52 217 217-55	3 1/4 3 7/16	85	3 3/4 95.2	12 7/32 310	9 23/32 247	3 9/32 83	1 7/32 31	1 25	1 1/4 32	7.3622 187	3.3740 85.7	1.3425 34.1	M20	3/4	UCP 217-52 217 217-55	P 217	9.2
UCP 218-56 218	3 1/2	90	4 101.6	12 7/8 327	10 5/16 262	3 15/32 88	1 19/64 33	1 1/16 27	1 11/32 34	7.8740 200	3.7795 96.0	1.5630 39.7	M22	7/8	UCP 218-56 218	P 218	11.4